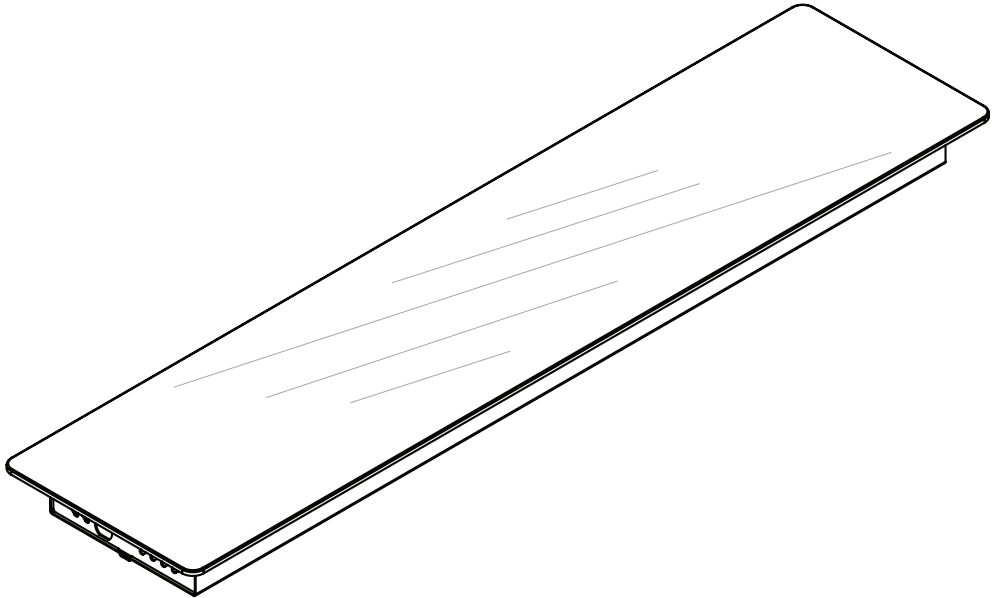


# Installation Guide

## Technical specifications

### FRAMELESS

ABC full spectrum infrared radiator for sauna



- Deep penetrating infrared warmth
- Exclusive inup design "Frameless"
- Rectangular "Square" or rounded "Round"
- Very flat housing construction
- Screwless assembly
- 10,000 operating hours life expectancy of the heating tubes
- For example 1h daily usage x 365 days, it would be about 27 years
- Sun-like and ideally balanced infrared heat spectrum
- Infrared full spectrum ABC: A-23 % | B-57 % | C-20 %

# CONTENTS (English)

(1) Safety instructions	3
- Electrical connection	3
- Fire danger	3
- Monitoring	3
- Health	3
- Original spare parts	3
(2) Useful information	4
- correct power selection	4
(3) Technical specifications	5
- Dimensions	5
- Full spectrum IR ABC in %	5
- Scope of delivery	5
(4) Assembly notes	6
- Important instructions	6
(5) Air circulation on the wall mounted	7
- Possible options	7
(6) Air circulation mounted on the ceiling	8
- Possible options	8
(7) Installation of several IR radiators	8
(8) Wall Mounting Instructions	9
- Wall cutout	9
- Inlet in the wall	9
(9) Ceiling mounting notes	10
- Ceiling cutout	10
- Inlet in the ceiling	10
(10) Effective positioning of IR radiators	11
- Cabin sketch	11
- Dimensional body / IR radiator	11
(11) Warranty conditions	12
- Manufacturer warranty	12
- Recycling	12
- Service address:	12

# 1. SAFETY INSTRUCTIONS

## **ATTENTION - ELECTRICAL CONNECTION**

The electrical connection of the infrared radiators and the control may only be carried out by an authorized electrician.

Please note that in the event of a warranty claim, a copy of the invoice from the electrician carrying out the work must be submitted.

Connect the infrared control device according to the wiring diagram. Check that all connectors are securely connected before using the control unit. Make sure that the requirements according to EN 60335-2-53 (VDE 0700 Part 53) are met in the infrared cabin. Only operate and control the infrared radiators with the control unit provided for this purpose.

## **ATTENTION - FIRE DANGER**

There is a risk of fire in the event of improper installation. Please read this installation guide carefully. Pay particular attention to the dimensions, assembly and air circulation instructions. Covering the IR radiators creates a risk of fire!

## **ATTENTION - MONITORING**

Do not leave people with restricted physical, sensory or mental abilities unattended when using the infrared radiators. Keep children away from infrared radiators or an infrared cabin. IR radiator control buttons can become very appealing for kids.

## **ATTENTION - HEALTH**

Avoid using full spectrum infrared when under the influence of alcohol or tranquilizers!

Avoid using full spectrum infrared within 24 hours of an intense natural or artificial tan!

Avoid using full spectrum infrared if you have limited sensory abilities. If you have any doubts or if there is a risk of overheating, for example if you have heart / circulatory problems, always consult your doctor / specialist.

If the persistent redness appears on the skin for more than 24 hours to prevent the erythematous skin syndrome (erythema ab igne or "EAI"), be sure to consult your doctor/ specialist.

## **ATTENTION - ORIGINAL SPARE PARTS**

Only use inup quality original spare parts from the manufacturer. Changing the cables included in the scope of delivery can impair the function and is not permitted. Any unauthorized technical changes will void the warranty.

## 2. USEFUL INFORMATION

### SPA EXPERIENCES EVERYWHERE

Did you know that our infrared radiators can be used anywhere? You don't need a closed room. Our infrared heaters are ideal for an outdoor arrangement. Thanks to the near-wave infrared radiation, the deep heat effect always has the same intensity and depth effect, regardless of whether the infrared heater is placed in a heat cabin, a living room, an office or an open arrangement.

### HIGHEST QUALITY

Every day we strive to do as much as possible ourselves, from designing and drawing to assembling and testing our products. We take great care to ensure that our products are tested by recognized experts. You will always receive infrared heat products from us that are technically flawless down to the smallest detail and meet the highest safety standards.

### WHICH POWER IS RIGHT FOR ME?

<i>Power:</i>	<i>IR wave is coming up:</i>	<i>Recommended use per power:</i>
350 Watt:	10 - 25 cm	Ideal for the back or lower legs
500 Watt:	30 - 50 cm	Especially good for the back
750 Watt:	60 - 80 cm	Works best as a frontal deployment
1300 Watt:	90 - 130 cm	Excellent as a ceiling IR radiator

### ATTENTION SENSITIVITY!

Please attention that you do not look directly into the light of the infrared radiators for (too) long. Just like you shouldn't look at any lamp for a long time. Close your eyes or use safety goggles. Some medications affect skin sensitivity and how it reacts to heat. When in doubt, always consult your doctor/specialist.

### BE CAREFUL WHEN CLEANING THE INFRARED RADIATORS!

If you want to clean the infrared radiator, make sure that the infrared emitter is out of power. This might sound patronizing, but we're surprised at how often these instructions are ignored!

# 3. TECHNICAL SPECIFICATIONS

Dimensions wall radiator: 750 x 180 x 42 mm (H/W/D) for 350, 500, 750 Watt  
 Installation opening: 715 x 146 x 60 mm

Dimensions ceiling radiator: 750 x 180 x 68 mm (H/W/D) for 1300 Watt  
 Installation opening: 715 x 150 x 84 mm

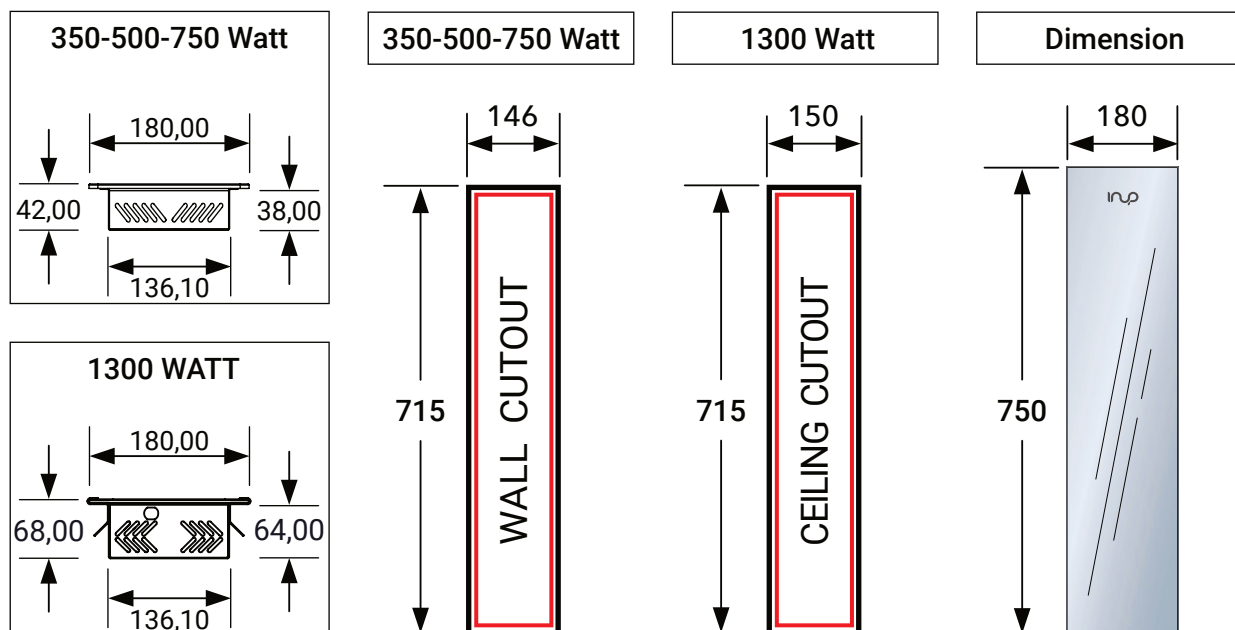
Power wall radiator: 350, 500, 750 Watt  
 Power ceiling radiator: 1300 Watt  
 Voltage (power supply): 230V 1N AC 50 Hz  
 Connecting cable: Siliconcable 3x1,5 mm<sup>2</sup>, ca. 3 m, permanently installed  
 Weight excl. packaging: ca. 3,0 kg  
 Conformity: CE  
 Splashproof: IPx4

Infrared full spectrum ABC: 23 % -A- Near-infrared waves 780 - 1.400 nm  
 57 % -B- Mid-Infrared waves 1.400 - 3.000 nm  
 20 % -C- Far-Infrared waves 3.000 nm - 1 mm

Effective deep penetrating: Near-/ Mid-/ Far-Infrared waves, with a maximum of about 1800 nanometers.

Filter ceramic lens: Special black-darkred ceramic filter glass lens that filters out visible light below 600 nanometers.

Manufacturing: German Engineering, made in Netherlands.



## Scope of delivery:

- 1 x Infrared radiator inup Frameless, incl. built-in 3m silicone connection cable 3x1,5 mm<sup>2</sup>.
- 1 x Assembly and operating instructions.

# 4. INSTALLATION INSTRUCTIONS

## ⚠ ATTENTION - FIRE DANGER

Only install the inup infrared radiator Frameless according to our instructions to prevent a possible risk of fire or overheating of the products!

## ⚠ ATTENTION - AIR CIRCULATION

Bitte gewährleisten Sie unbedingt eine Luftzirkulation! Keine oder nicht ausreichende Luftzirkulation kann zur Brandgefahr führen und die Lebensdauer Ihres Infrarotstrahlers erheblich reduzieren!

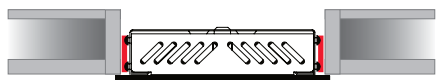
## ⚠ ATTENTION - SUITABLE USE

Suitable for: Finnish dry saunas incl. Sauna heater with evaporator, up to 90% humidity.  
Prohibited for: Steam baths, showers, or 100% humidity and jets of water!

## ⚠ ATTENTION - CONNECTION CABLE ORIENTATION

In the case of vertical installation, the connection cable should always point downwards!

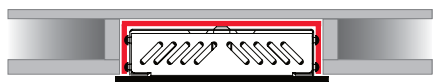
Picture 4/1



### Recessed wall and ceiling mounting, with an open back

Our Frameless infrared radiators can be mounted in the wall or ceiling. The wall or ceiling opening is aesthetically covered with the ceramic glass pane.

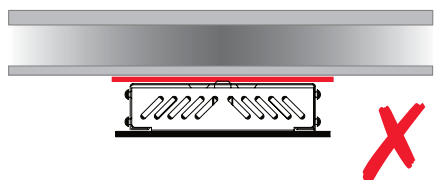
Picture 4/2



### Recessed wall and ceiling mounting

Good air circulation must be guaranteed!  
(see notes on air circulation)!

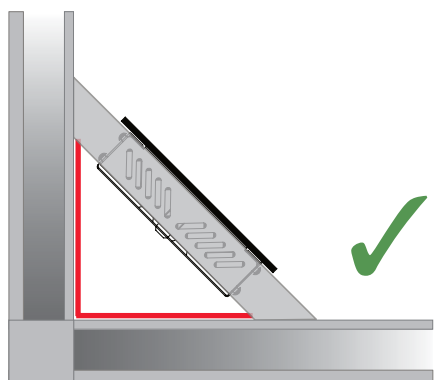
Picture 4/3



### Surface mounting

A surface mounting (as shown) is unfortunately not possible.

Picture 4/4



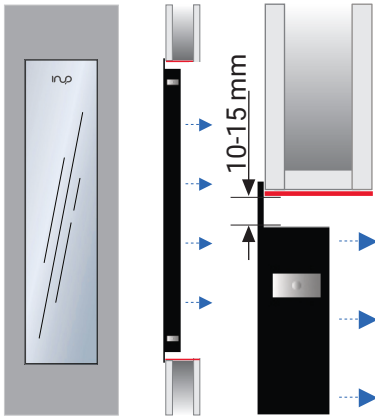
### Corner mounting

Corner mounting is often the most efficient way to use the corners in a booth or room. Create a frame and mount it in the corner. Leave the top and bottom open to automatically achieve adequate air circulation.

# 5. WALL MOUNTING / AIR CIRCULATION

Only power ratings of 350/ 500/ 750 watts are suitable for installation in the WALL and CORNER! Recommended inup fire protection tape & mat (Fire Guard 600°) are marked in red.

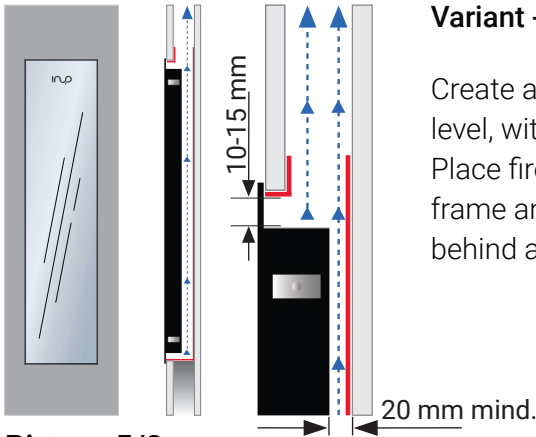
Picture 5/1



## Variant - THE OPEN BACK

Open the sauna wall behind the infrared heater. Lay fire protection tape along the inside of the wooden frame, around the infrared heater (see marked in red).

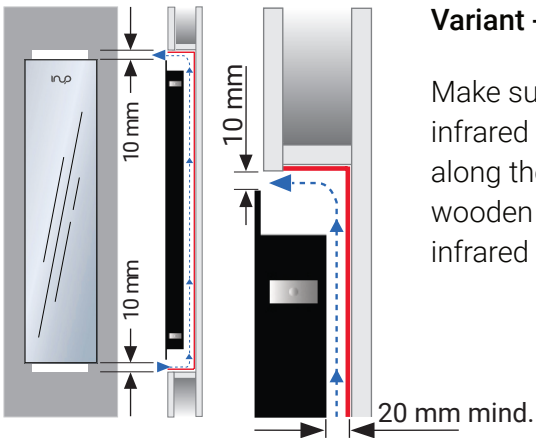
Picture 5/2



## Variant - AN AIR WAY IN THE WALL

Create an air way in the wall, above the heater up to ceiling level, with the exhaust vent at the top or rear for air circulation. Place fire protection tape along the inside of the wooden frame and on the inside wooden backing of the sauna wall, behind and around the infrared heater (see marked red).

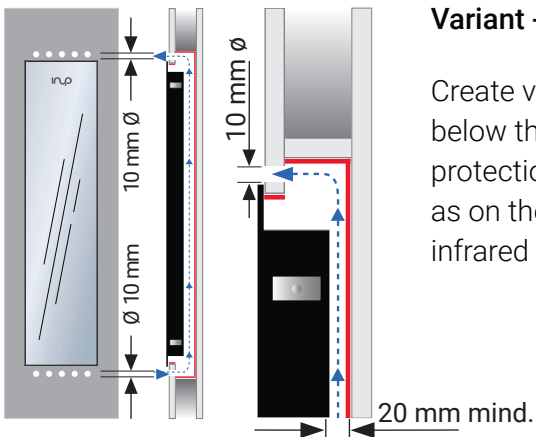
Picture 5/3



## Variant - TWO NARROW VENTS

Make sure there is a 10mm opening above and below the infrared radiator for air circulation. Place fire protection tape along the inside of the wooden frame, as well as on the inside wooden backing of the sauna wall, behind and around the infrared radiator (see marked red).

Picture 5/4



## Variant - SEVERAL VENTILATION HOLES

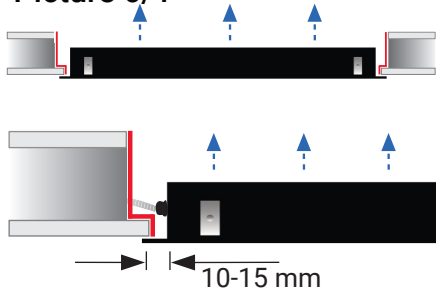
Create ventilation holes about 10mm diameter above and below the infrared radiator for air circulation. Place fire protection tape along the inside of the wooden frame, as well as on the inside back of the sauna wall, behind and around the infrared radiator (marked in red).

## 6. CEILING MOUNTING / AIR CIRCULATION

Only the power of 1300 watts is permitted for installation in the CEILING!

Recommended inup fire protection tape & mat (Fire Guard 600°) are marked in red.

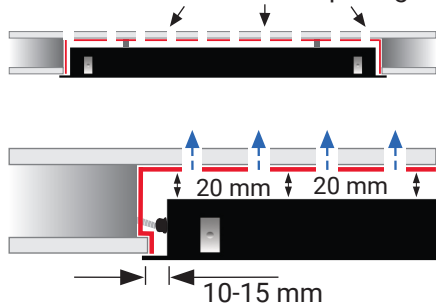
Picture 6/1



### Variant - THE OPEN BACK

For installation in the ceiling, heat dissipation is particularly important. Open the sauna ceiling over the IR radiator. Lay the fire protection tape "Fire Guard 600°" along the inside of the wooden frame, around the IR radiator (marked in red).

Picture 6/2

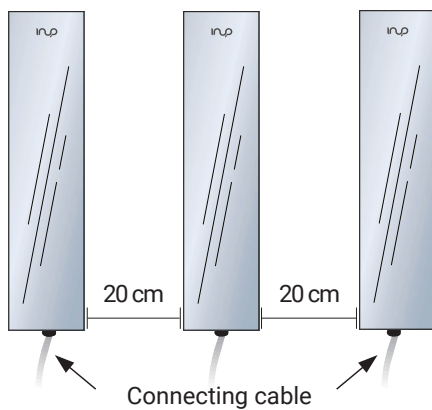


### Variant - SEVERAL VENTILATION OPENINGS IN THE CEILING

Always maintain a minimum distance of 20 mm between the rear of the IR radiator and the cabin ceiling. Please note that the distances between the two narrower sides of the IR radiator, left and right, to the ceiling cut-out are 10-15 mm. Create ventilation holes in the ceiling above the infrared heater to dissipate the heat. Lay the fire protection tape & mat "Fire Guard 600°" in the recess for the infrared ceiling radiator.

## 7. INSTALLATION OF SEVERAL IR-RADIATORS

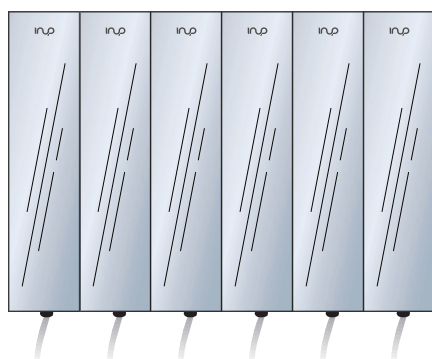
Picture 7/1



### INSTALLATION OF SEVERAL INFRARED RADIATORS

Please keep a distance of at least 20 cm between the 500 and 750 watt IR radiators if you install more than one IR radiators. Always make sure the connection line is down.

Picture 7/2



### INSTALLATION OF SEVERAL INFRARED RADIATORS

No distance can be maintained between the IR radiators with 350 watts of power if you install several IR radiators next to each other. Always make sure the connection line is down.

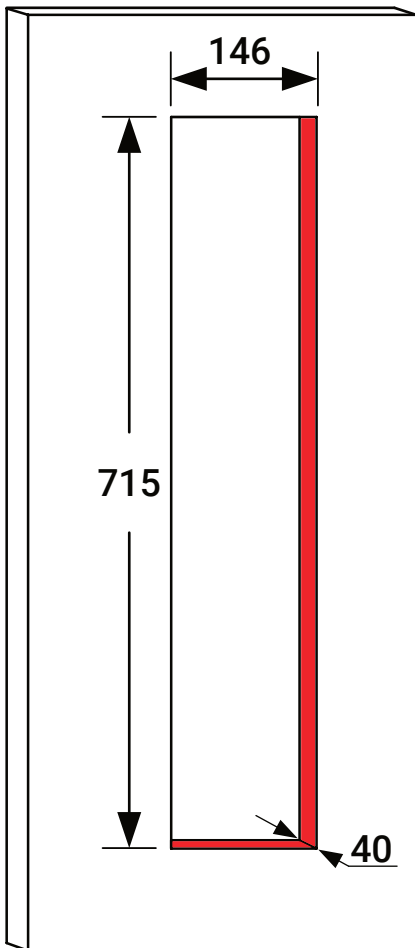


## 8. WALL MOUNTING HINTS

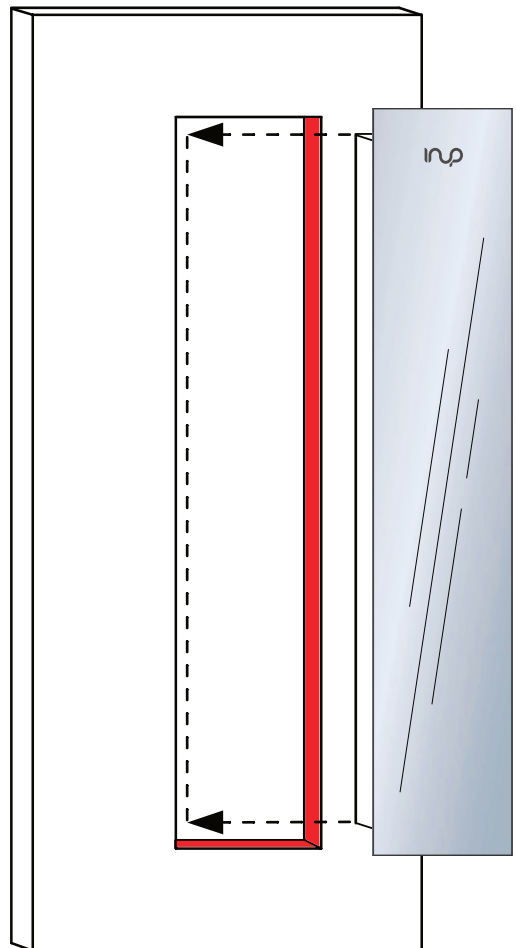
**⚠ ATTENTION - wall mounting only for outputs 350-500-750 watts!**

- 1) Prepare the ventilation as described in the general installation instructions under **pictures (5/1-4) air circulation for wall mounting (see page 7)**.
- 2) Create a recess in the cabin wall (**H/W**): **715 x 146 mm** (see picture 8/1).
- 3) A wall depth of 40 mm is required in order to firmly latch IR radiators into the wall. Any missing depth can be filled with squared timber, for example.
- 4) Place the original inup Fire Guard 600° fire protection tape along the inside of the frame, marked in red (see picture 8/1).
- 5) Connect the IR radiator with the power cable.
- 6) Place the IR radiator in the frame (see picture 8/2).
- 7) Place one of the long sides against the wooden frame and carefully push the IR radiator into the frame.
- 8) Your infrared radiator is now ready for use.

Picture 8/1



Picture 8/2

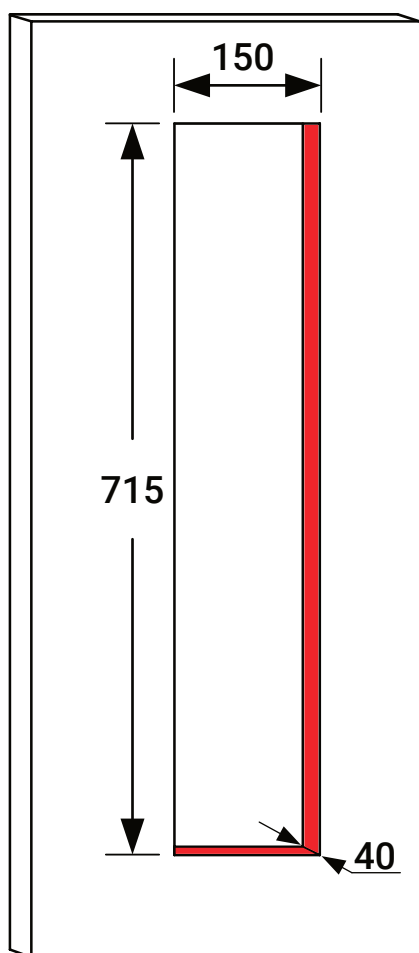


# 9. CEILING MOUNTING HINTS

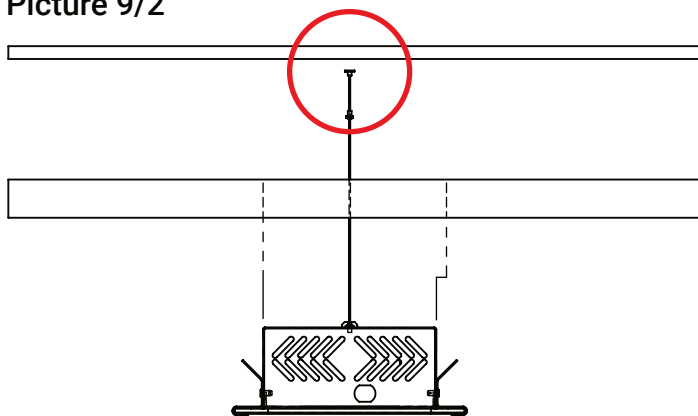
**⚠ ATTENTION - ceiling mounting only suitable for power 1300 watts!**

- 1) Prepare the ventilation as described in the general installation instructions under **pictures (6/1-2) air circulation for ceiling mounting (see page 8)**.
- 2) Create a recess in the cabin ceiling (**H/W**): **715 x 150 mm** (see picture 9/1).
- 3) A ceiling thickness of 40 mm is required in order to securely latch IR radiators into the ceiling. Any missing ceiling thickness can be filled with squared timber.
- 4) Lay fire protection tape along the inside of the frame, marked as a red line (see pic. 9/1).
- 5) Attach the safety rope to the ceiling of the room or cabin outside of your sauna cabin (see picture 9/2).
- 5) Connect the IR radiator with the power cable.
- 6) Place the IR illuminator in the frame.
- 7) Place one of the long sides against the frame and press the IR radiator into the frame (see picture 9/3).
- 8) The IR radiator is now ready for operation (see picture 9/4).

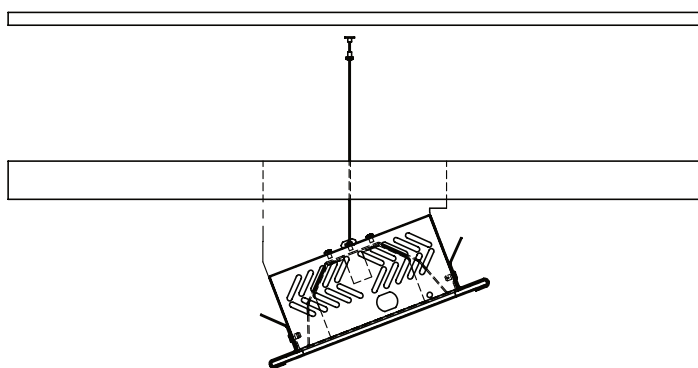
Picture 9/1



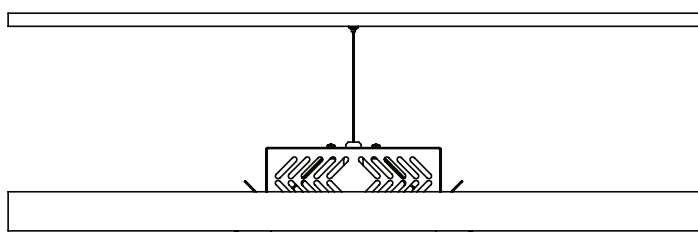
Picture 9/2



Picture 9/3

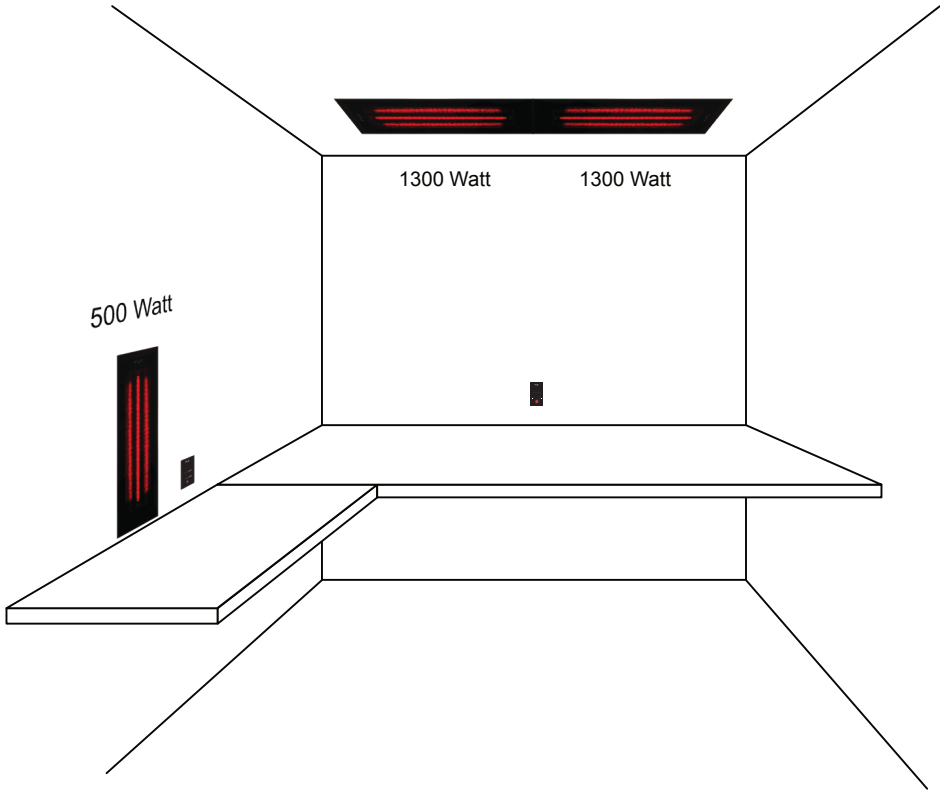


Picture 9/4

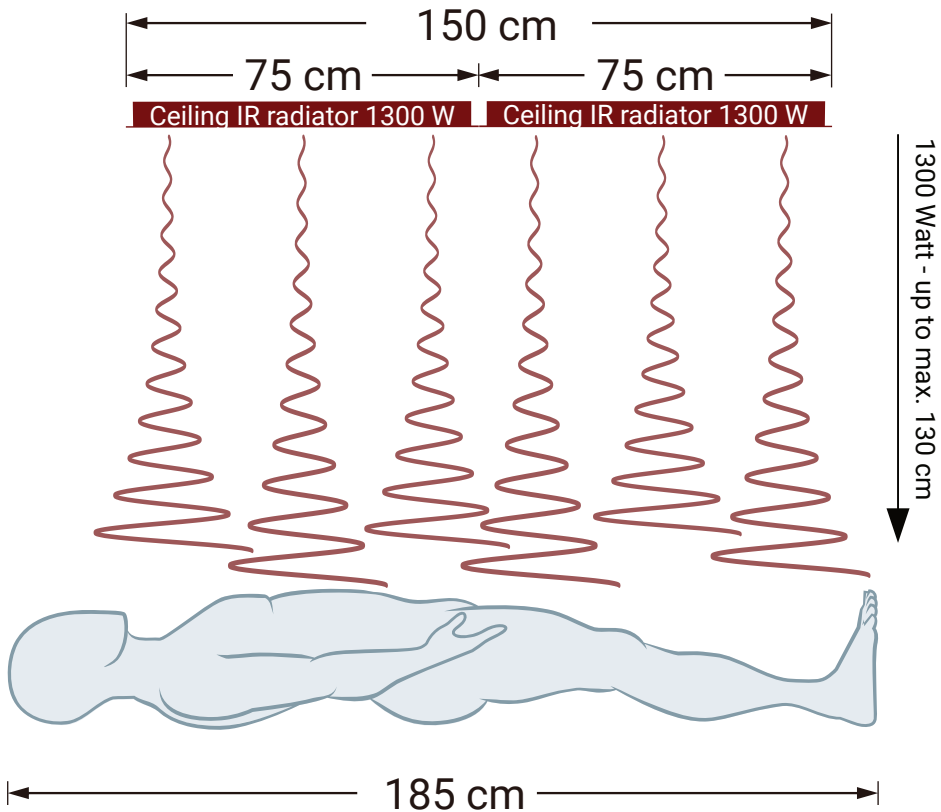


# 10. EFFECTIVE POSITIONING OF IR RADIATORS

Picture 10/1



Picture 10/2



# 11. WARRANTY CONDITIONS

## Manufacturer warranty:

The manufacturer's warranty begins on the date of the purchase receipt and is generally limited to 24 months. Please note that defects or damage caused by unconventional use are excluded from the warranty. The start date of the guarantee period is the invoice date of the authorized dealer or cabin manufacturer. The prerequisite for this is the submission of the original invoice.

The warranty period is not extended by warranty claims. Please send the defective device back directly to the dealer or to us and send us an email as soon as possible (at least within 30 days) with photos of the defects or errors, including a clear description of the error and a copy of the invoice.

The general service conditions of the technology manufacturer apply, in their currently valid version. In addition to these service conditions, the general terms and conditions of the technology manufacturer apply in their currently valid version.

## The guarantee expires prematurely if:

- Damage caused by misuse, carelessness or intentional damage.
- Damage caused by improper installation or self-repair of the product.
- Repairs by unauthorized persons or use of non-original parts.

## Sustainable Entrepreneurship:

Sustainability is of central importance for inup. You are welcome to return your old inup devices to us so that they can be recycled and destroyed in an environmentally friendly manner in accordance with the statutory provisions. For this purpose, please contact [support@inup.de](mailto:support@inup.de).

## Recycling:

Devices or lighting elements that will not be used any longer have to be handed in at a recycling station according to regulation 2012/19/EU. Do not dispose it with the normal household waste.



## Service Adresse:

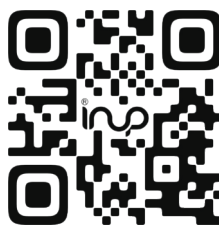
inup GmbH  
Lierenfelder Str. 39  
40231 Dusseldorf, Germany

Tel.: +49 (0) 211-8680-8680

Fax: +49 (0) 211-8680-8689

Mail: [info@inup.de](mailto:info@inup.de)

Web: [www.inup.de](http://www.inup.de)



Technical changes reserved.

VA20221003